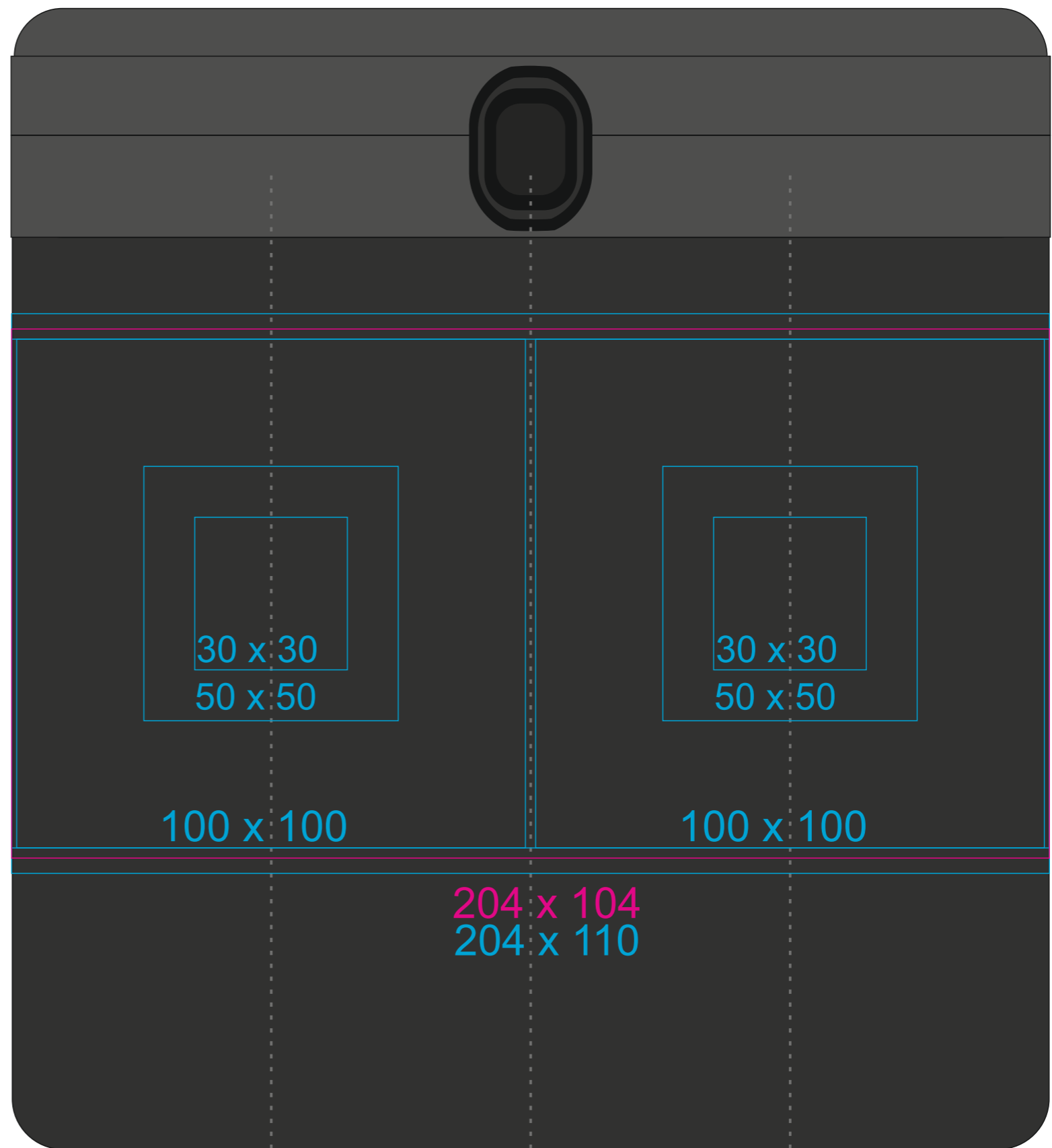
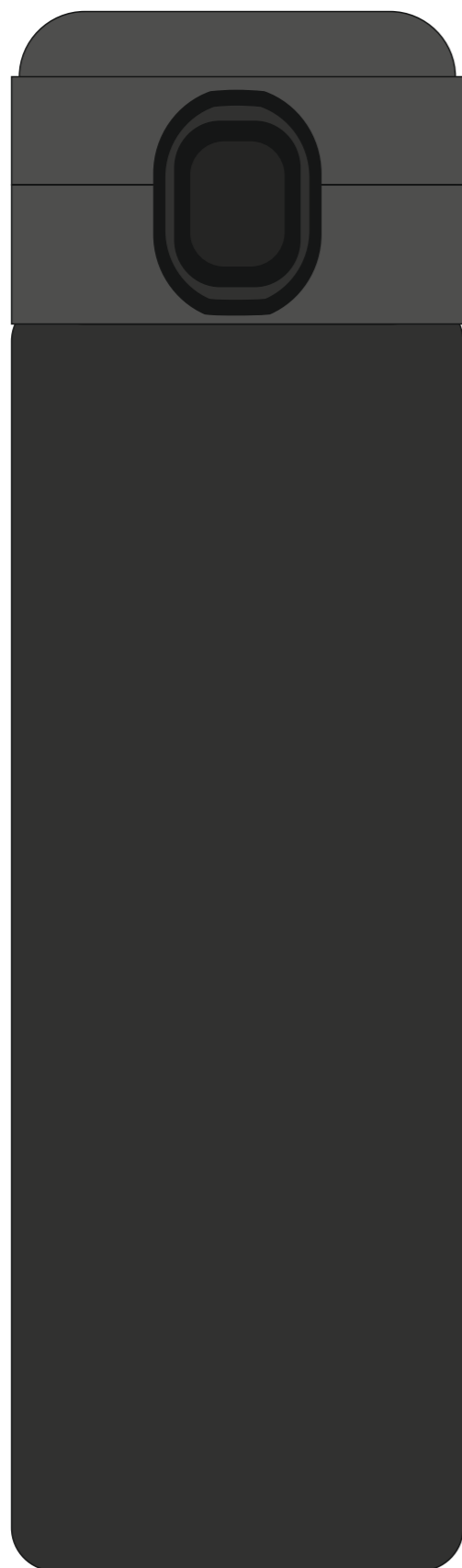
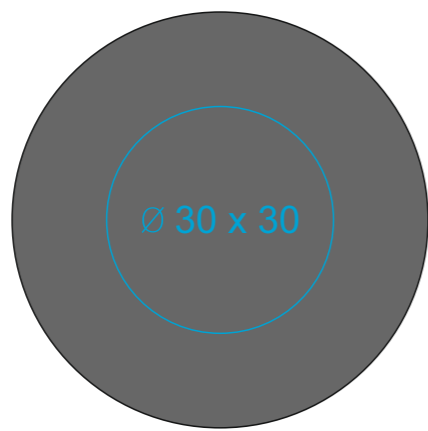


# M\_478 Orion

440 ml / h: 222 mm / Ø 76 mm / Ø 65 mm



[How to prepare print material](#)

meaning

— Digital Print 360

— Laser Engraving